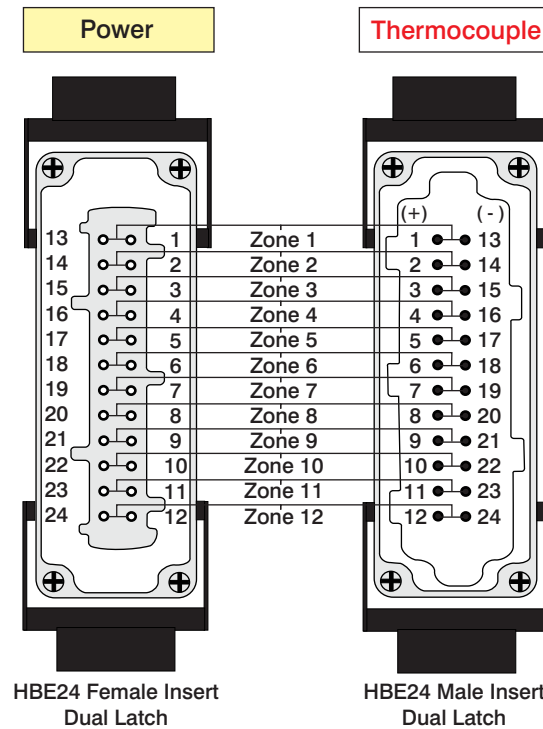


Enclosure Connector = S (Gammaflux Standard)



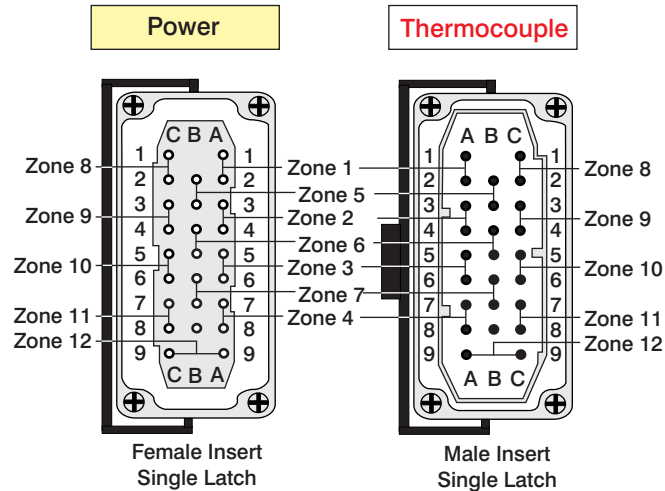
Compatible Drawings (Most Common):

Dwg 11 - Mold-Masters combi standard - HBE48S
 Dwg 27 - Husky standard power - HBE24S
 Dwg 28 - Husky standard T/C - HBE24S
 Dwg 31 - DME PIC5/8/12G power - HD25S
 Dwg 60 - DME MTC5G T/C - HBE10S
 Dwg 62 - DME MTC8G T/C - HBE16S
 Dwg 64 - DME MTC12G T/C - HBE24S
 Dwg 49 - HBE16S power
 Dwg 50 - HBE16S T/C
 Dwg 69 - HBE16D power
 Dwg 70 - HBE16D T/C
 Dwg 74 - Yudo 4 zone combi - HBE16S
 Dwg 75 - Yudo 6 zone combi - HBE24S
 Dwg 76 - (2) Yudo 6 zone combi - HBE24S
 Dwg 54 - Flying leads T/C
 Dwg 55 - Flying Leads Power

Compatible Drawings:

Dwg 18 - Powertech combi - Modular
 Dwg 73 - Powertech combi - CT-0112D Modular
 Dwg 72 - HBE32D combi
 Dwg 77 - (2) HBE16D power
 Dwg 78 - (2) HBE16D T/C
 Dwg 86 - (2) HBE16S power
 Dwg 87 - (2) HBE16S T/C
 Dwg 80 - (1) Euro combi #1 - HBE24D - 6 zone
 Dwg 83 - (2) Euro combi #1 - HBE24D - 12 zone
 Dwg 88 - (1) Euro combi #2 - HBE24D - 6 zone
 Dwg 81 - (2) DME single zone - cable coupler - HA4S
 Dwg 82 - (1) DME single zone - cable coupler - HA4S
 Dwg 84 - Fast Heat - 12 zone T/C - HD25S
 Dwg 85 - Fast Heat - 12 zone Power - HBE24S
 Dwg 89 - HBE16D combi - 2 zone Gammaflux standard
 Dwg 90 - HBE16D combi - 4 zone
 Dwg 93 - (2) Yudo 6 zone combi - HBE24S - Harting
 Dwg 98 - HBE48S combi - alternate insert alignment

Enclosure Connector = D (D-M-E[®] Standard)



Thermocouple Polarity
(+) on pins A1, A3, A5, A7, B2, B4, B6, C1, C3, C5, C7, A9
(-) on pins A2, A4, A6, A8, B3, B5, B7, C2, C4, C6, C8, C9

DME[®] is a registered trademark of D-M-E Company

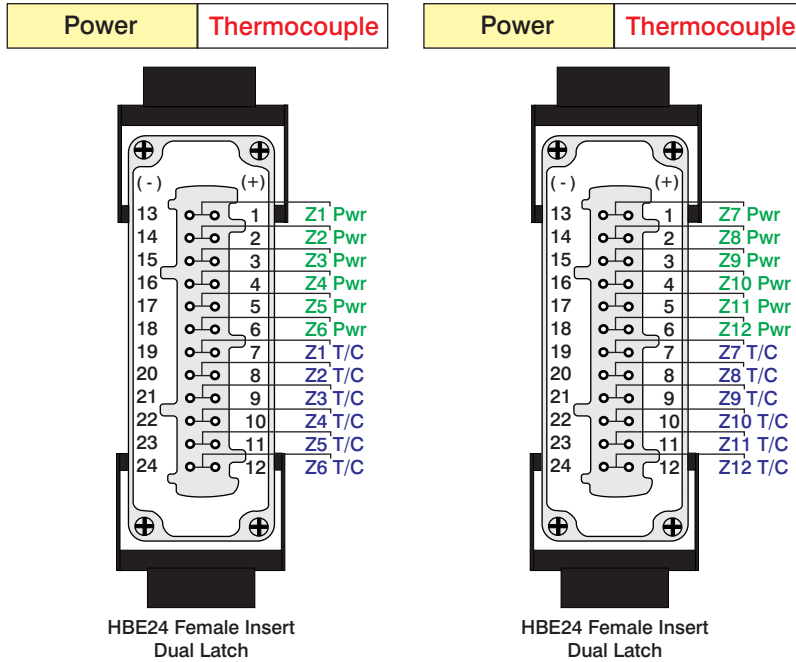
Compatible Drawings (Most Common):

Dwg 32 - DME PIC5/8/12G power
Dwg 61 - DME MTC5G T/C - HBE10S
Dwg 63 - DME MTC8G T/C - HBE16S
Dwg 33 - DME MTC12G T/C - HBE24S

Compatible Drawings:

Dwg 12 - Mold-Masters standard combi - HBE48S
Dwg 19 - Powertech combi - Modular
Dwg 42 - Husky standard power - HBE24S
Dwg 43 - Husky standard T/C - HBE24S
Dwg 51 - HBE16S power
Dwg 52 - HBE16S T/C
Dwg 58 - HBE24D power
Dwg 59 - HBE24D T/C
Dwg 56 - Flying leads power
Dwg 57 - Flying leads T/C

Enclosure Connector = E (Euro combi #1)

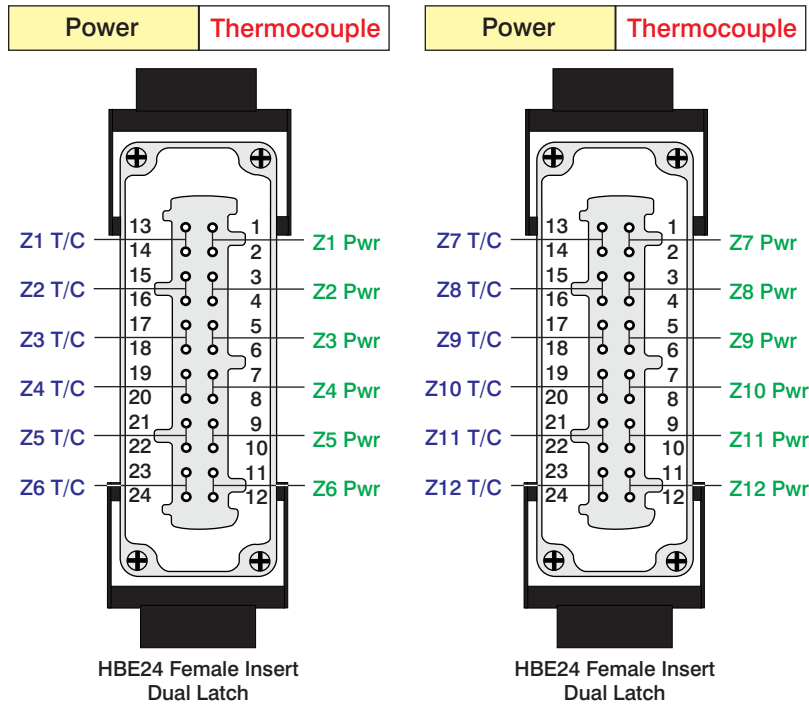


Compatible Drawings (Most Common):

Dwg 104 - Euro combi #1 - HBE24D

Compatible Drawings:

Enclosure Connector = F (Euro combi #2)



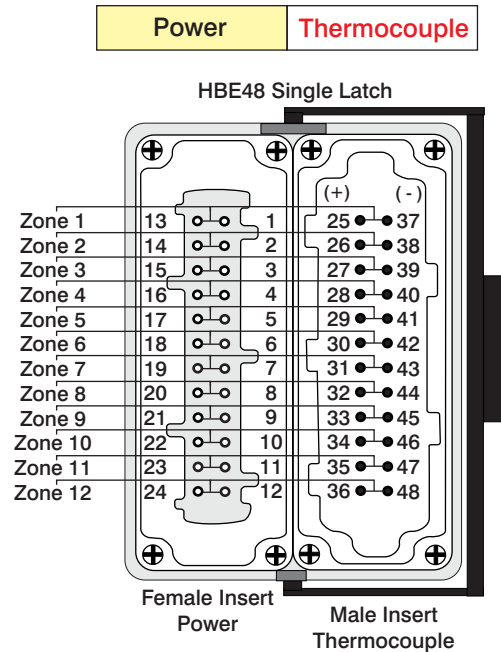
Thermocouple Polarity
 (+) on pins 13, 15, 17, 19, 21, 23
 (-) on pins 14, 16, 18, 20, 22, 24

Compatible Drawings (Most Common):

Dwg 105 - Euro combi #2 - HBE24D

Compatible Drawings:

Enclosure Connector = M (Mold-Masters[®] Standard Wiring Pattern)



Mold-Masters[®] is a registered trademark of Mold-Masters Limited

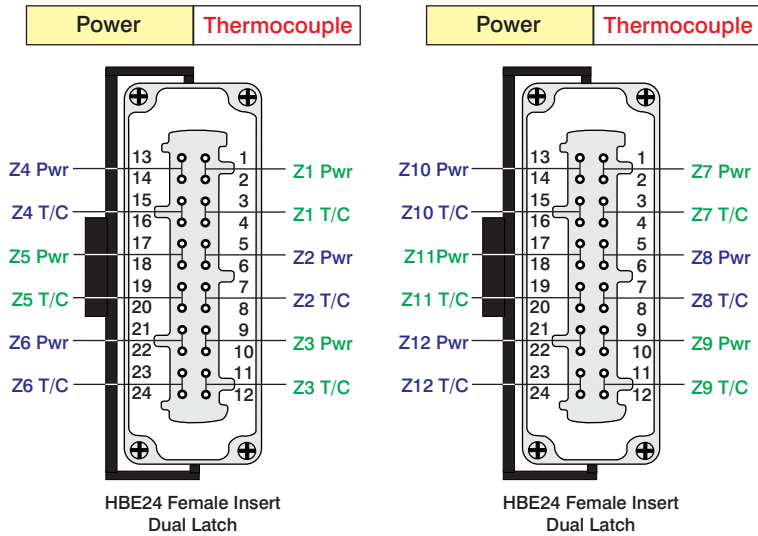
Compatible Drawings (Most Common):

Dwg 13 - Mold-Masters standard combi - HBE48S

Compatible Drawings:

- Dwg 44 - Husky standard power & T/C - HBE24S
- Dwg 45 - DME PIC/MTC5G power & T/C - HD25S & HBE10S
- Dwg 46 - DME PIC/MTC8G power & T/C - HD25S & HBE16S
- Dwg 47 - DME PIC/MTC12G power & T/C - HD25S & HBE24S
- Dwg 48 - HBE24D power & T/C
- Dwg 53 - HBE16S power & T/C
- Dwg 66 - Powertech combi - Modular
- Dwg 23 - Flying leads - power & T/C

Enclosure Connector = Y (Yudo[®] Standard Enclosure)



Thermocouple Polarity
(+) on pins 3, 7, 11, 15, 19, 23
(-) on pins 4, 8, 12, 16, 20, 24

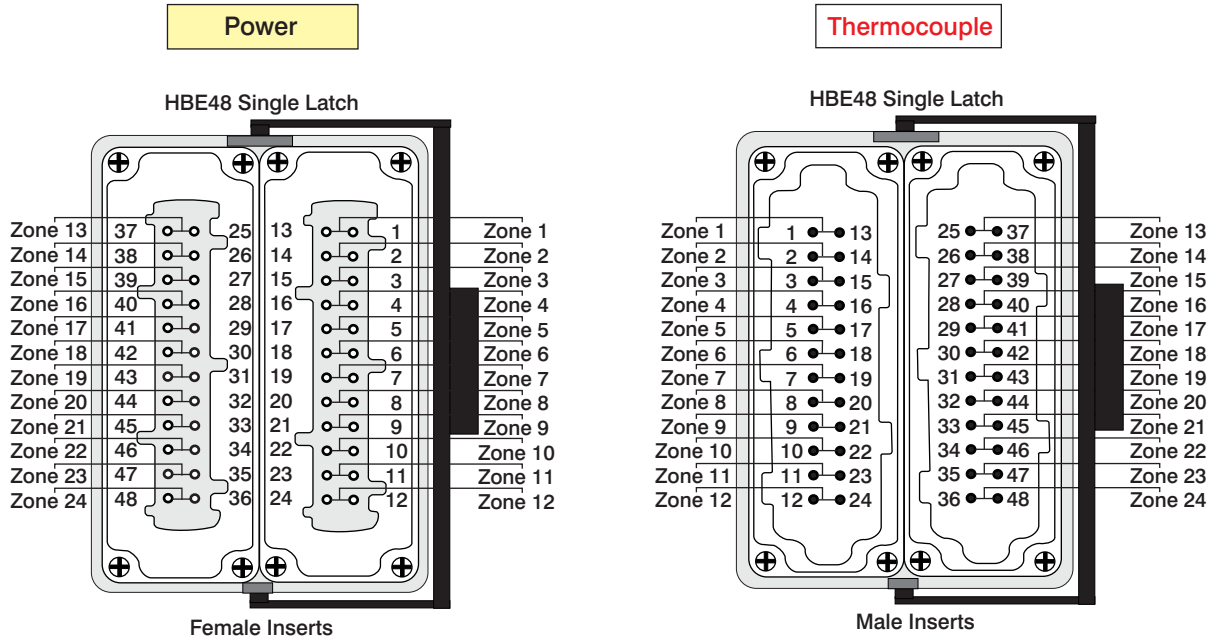
Yudo[®] is a registered trademark of Yudo Corporation

Compatible Drawings (Most Common):

Dwg 106 - Yudo 6 zone standard - HBE24S

Compatible Drawings:

Enclosure Connector = P



Compatible Drawings (Most Common):

Dwg 34 - HBE48S - Power
Dwg 35 - HBE48S - Thermocouple

Compatible Drawings: